



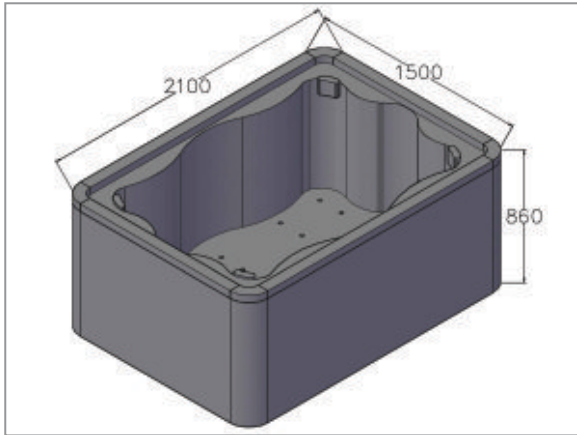
SPAS

AHAVA

Essential Escape

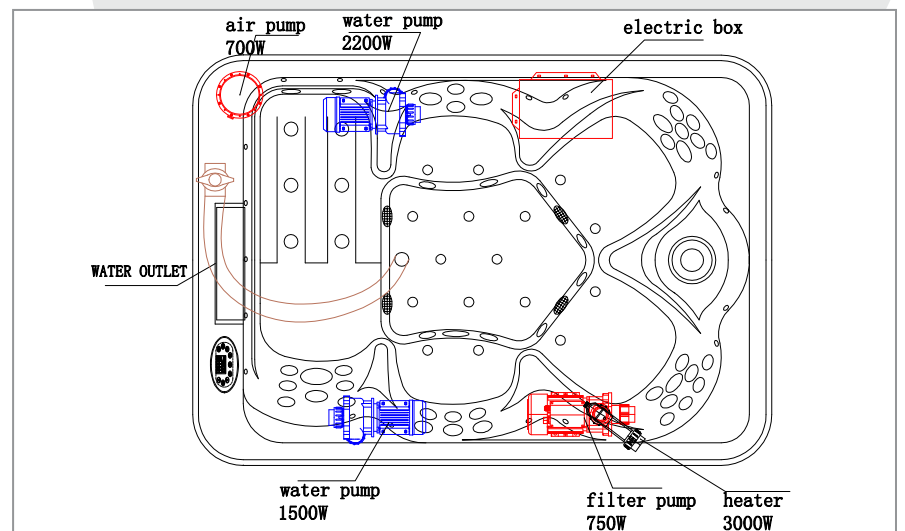
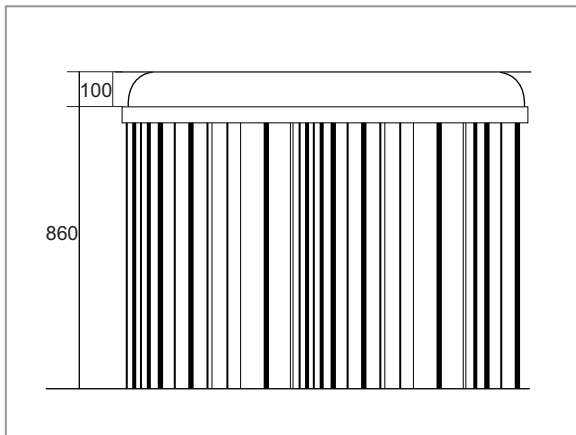
DRAWING

Size - 2100 x 1500 - 860h

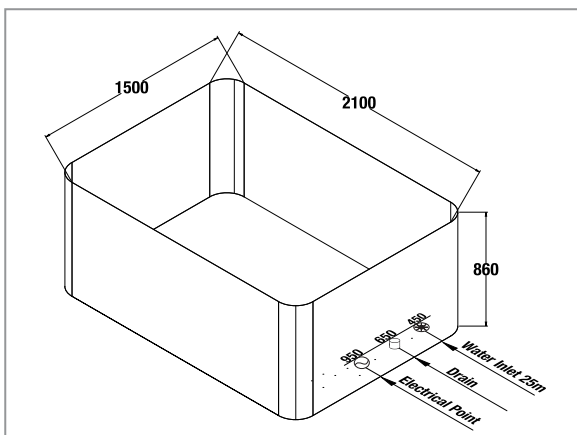


- Location of drain
- Location of water inlet & outlet connections
- Location of electrical connections

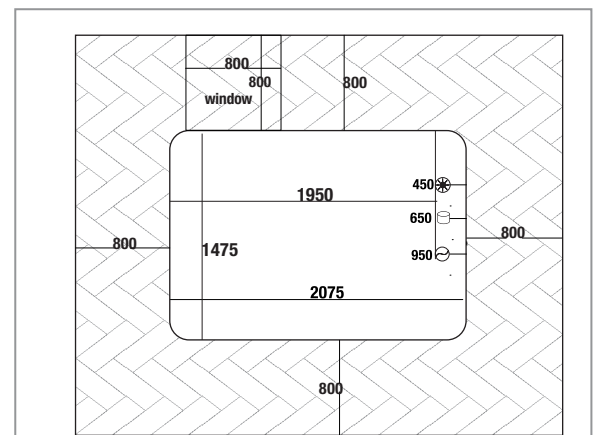
TECHNICAL



PRE-INSTALLATION



Normal



Built-In